

TRANSFORMERS™

AGES 4+

83212/82414 Asst.

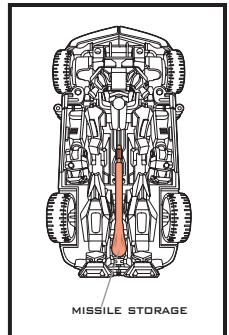
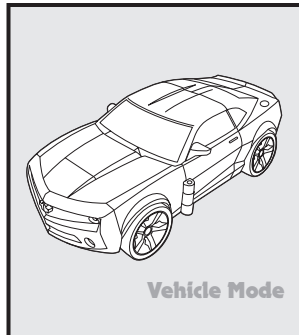
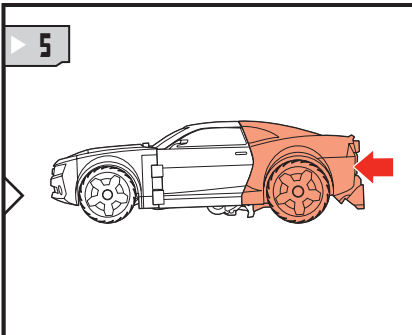
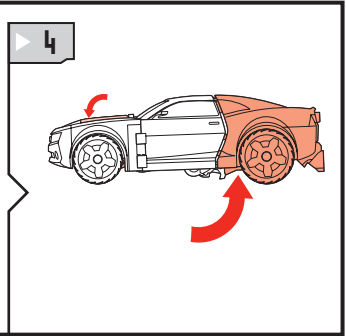
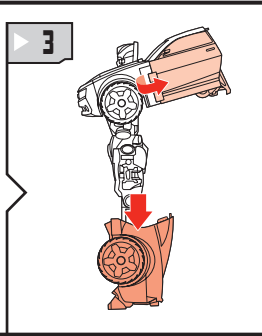
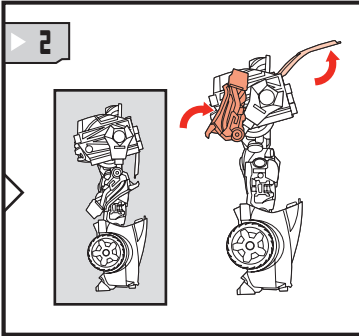
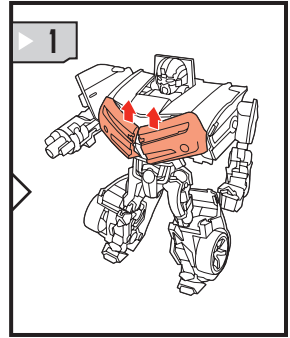
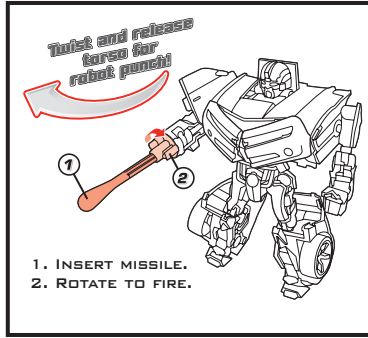
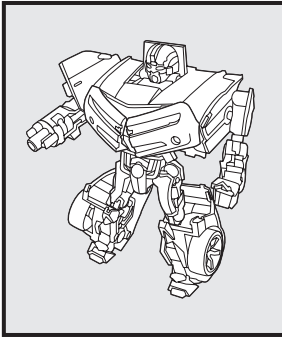
Plasma Punch BUMBLEBEE™



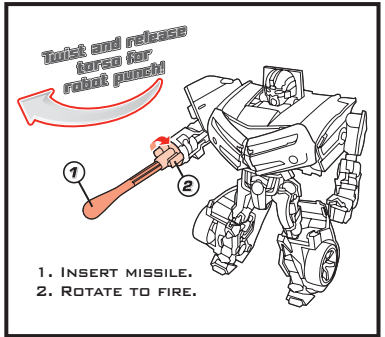
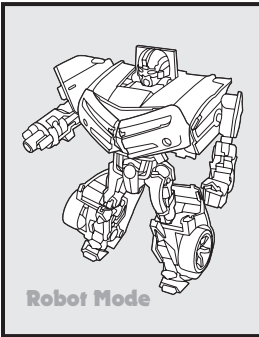
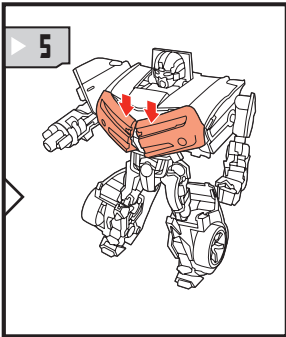
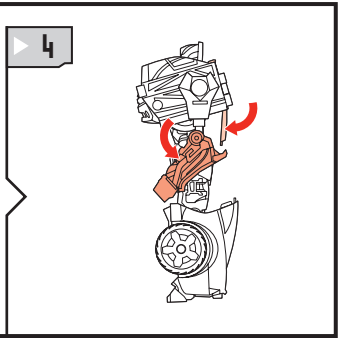
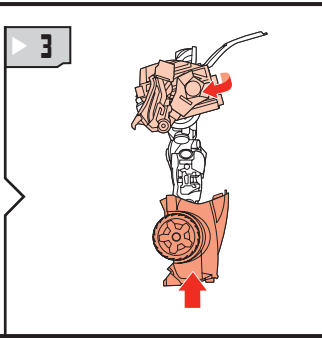
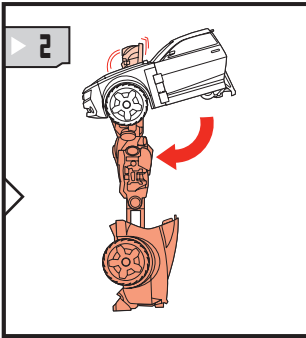
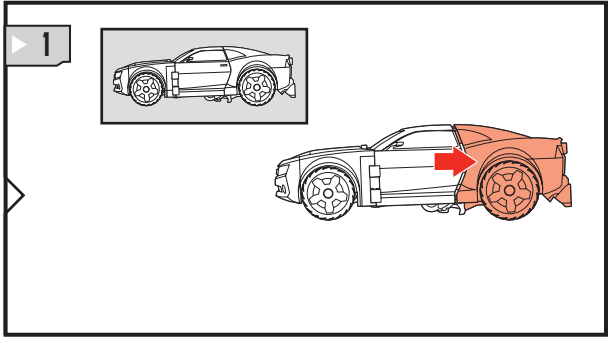
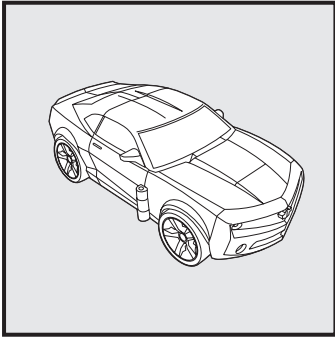
TRANSFORMERS.COM

NOTE: Some parts are made to detach if excessive force is applied and are designed to be reattached if separation occurs. Adult supervision may be necessary for younger children.

CHANGING TO VEHICLE



CHANGING TO ROBOT



DREAMWORKS
PICTURES

TRANSFORMERS.COM

© 2007 DreamWorks LLC and Paramount Pictures Corporation
®* and/or TM* & © 2007 Hasbro. All rights reserved.
TM & ® denote U.S. trademarks.
Manufactured under license from Tomy Company, Ltd.



Camaro and all related Emblems
and vehicle body designs are
General Motors Trademarks used
under license to Hasbro, Inc.

Some poses may require hand support.

P/N 670686000



Not suitable for children
under 3 years because of
small parts – choking hazard.